

DL-1920H

10" Vertical Architectural Frame-in-kit For HID Lamps

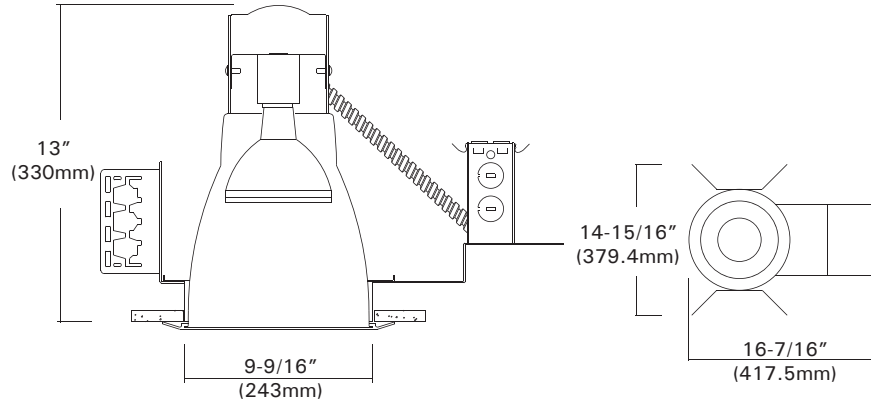
Catalog #		Type
Project		Date
Prepared by		

METAL HALIDE



DESCRIPTION

10" aperture frame-in kits for vertical PAR, ED, B type metal halide lamps. These are designed for use in non-insulated ceiling for natural colored general light on floor and task light with even light beam. Offering a wide choice of trim types including reflector, lensed and wall wash trims.



Ceiling Cut-out : 9-3/4"

Lamp, Max. Watt. / Ballast : 175W / ED17, PAR38, B

DESIGN FEATURES

◦ Housing Kit

- C-UL listed, NON-IC, thermally protected housing for vertical PAR, ED, B type metal halide lamps.
- 1-5/8" deep collar may use for various thickness of ceiling.

◦ Junction Box

- Listed for through branch circuit wiring. (Max. 8 No 12 AWG 90°C branch circuit conductors. (4 in, 4 out)
- (5) 1/2" knockouts with true pry-out slots and (4) knockouts with Romex cable clamp.
- Ground wire provided on J-box.

◦ Reflector

- Anodized clear, haze, gold, champagne, pewter color finished full reflectors. And anodized reflectors with black or white milled groove baffle collar and glass lens for shower trim.

◦ Mounting Channel Bracket

- Commercial mounting kit provided up to 5" vertical adjustment, which accommodates 1/2" EMT conduit, optional HB-24 or HBC-24 bar hanger or lathing channels for T-bar grid or concealed spline ceiling.

◦ Socket

- Medium base porcelain socket 4KV pulse rated with nickel plated screw shell.

◦ Socket Cup

- Heat sink aluminum cup with vertically adjustable lampholder is used to control multiple beam spreads.

◦ Ballast

- Electronic ballast for 120 and 277 volts, 50/60Hz operation high power factor, class A sound rated.

◦ Thermal Protector

- Self resetting thermal detector on J-box deactivates fixture if overheating occurs due to improper lamping or mis-applied insulation.
- Install varied detectors according to input voltages.

* Listing

- UL, c-UL listed for damp location.
- UL, c-UL listed for feed through.

Ordering Information

Housing	Ballast	Lamp(s) Watt.	Voltage	Option
DL-1920H	E : Electronic Metal Halide HID Ballast	39 : 39W 100 : 100W 50 : 50W 150 : 150W 70 : 70W 175 : 175W	-Blank : 120V -27 : 277V	

Example : DL-1920H-E39

Trims

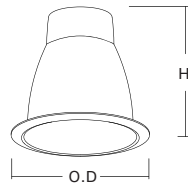
10" Vertical Metal Halide Trims For

DL-9200H, DL-1920H, DL-1920RH

Catalog #		Type
Project		Date
Prepared by		

METAL HALIDE

TM-199R-H
TM-199RF-H
Specular Open Reflector
175W ED17, PAR38MH
250W ED28 (Mog)
 White Metal Trim Ring
 O.D : 11-1/4"
 Height : 9-1/2"
 *Symbol (RF) is for Self-flange



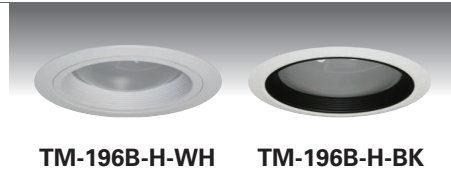
TM-190B-H
Baffle w/ Reflector
175W ED17, PAR38MH
250W ED28 (Mog)
 White Metal Trim Ring
 O.D : 11-1/4"
 Height : 9-1/2"



TM-198-H
Reflector w/ Frosted Drop Lens
175W ED17, PAR38MH
250W ED28 (Mog)
 White Metal Trim Ring
 O.D : 11-1/4"
 Height : 9-1/2"



TM-196B-H
Baffle w/ Frosted Lens
175W ED17, PAR38MH
250W ED28 (Mog)
 White Metal Trim Ring
 O.D : 11-1/4"
 Height : 9-1/2"



TM-198S-H
Reflector w/ Frosted 3.5" Center Hole Lens
175W ED17, PAR38MH
250W ED28 (Mog)
 White Metal Trim Ring
 O.D : 11-1/4"
 Height : 9-1/2"



TM-196R-H
Reflector w/ Frosted Lens
175W ED17, PAR38MH
250W ED28 (Mog)
 White Metal Trim Ring
 O.D : 11-1/4"
 Height : 9-1/2"



- ◆ White metal ring standard.
- ◆ All trims are damp location, Lens trims are wet location listed.

ORDERING INFORMATION

Choose the catalog / finish codes that best suit your needs and enter it on the appropriate line.

TRIM MODEL	REFLECTOR	LENS	BAFFLE	METAL RING
	CL :Clear	AS :All Sanded	WH :White	WH :White
	WH :White	CL :Clear	BK :Black	BK :Black
	GD :Gold	CS :Center Part Sanded	SN :Satin Nickel	SN :Satin Nickel
	MA :Matte Platinum		AN :Antique Nickel	AN :Antique Nickel
	CP :Champagne		AC :Antique Copper	AC :Antique Copper
	PR :Pewter		MO :Mocha	MO :Mocha
	HC :Haze Clear		CA :Cappuccino	CA :Cappuccino
			CH :Chrome	CH :Chrome
			UN :Natural Steel	UN :Natural Steel
			PB :Polished Brass	PB :Polished Brass

Examples:
 TM-199R-H-HC-WH = Haze Clear Reflector
 TM-190B-H-BK-WH = Black Baffle w/Clear Reflector